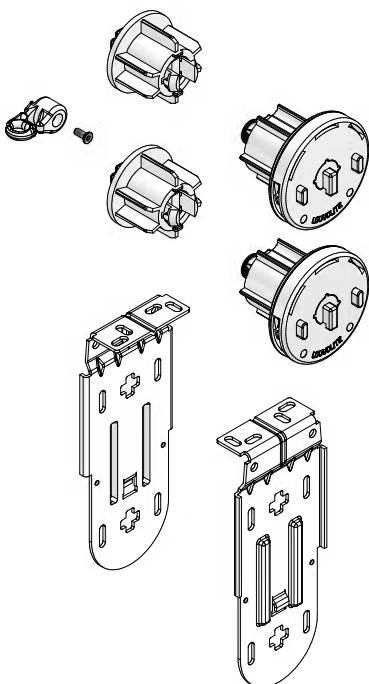
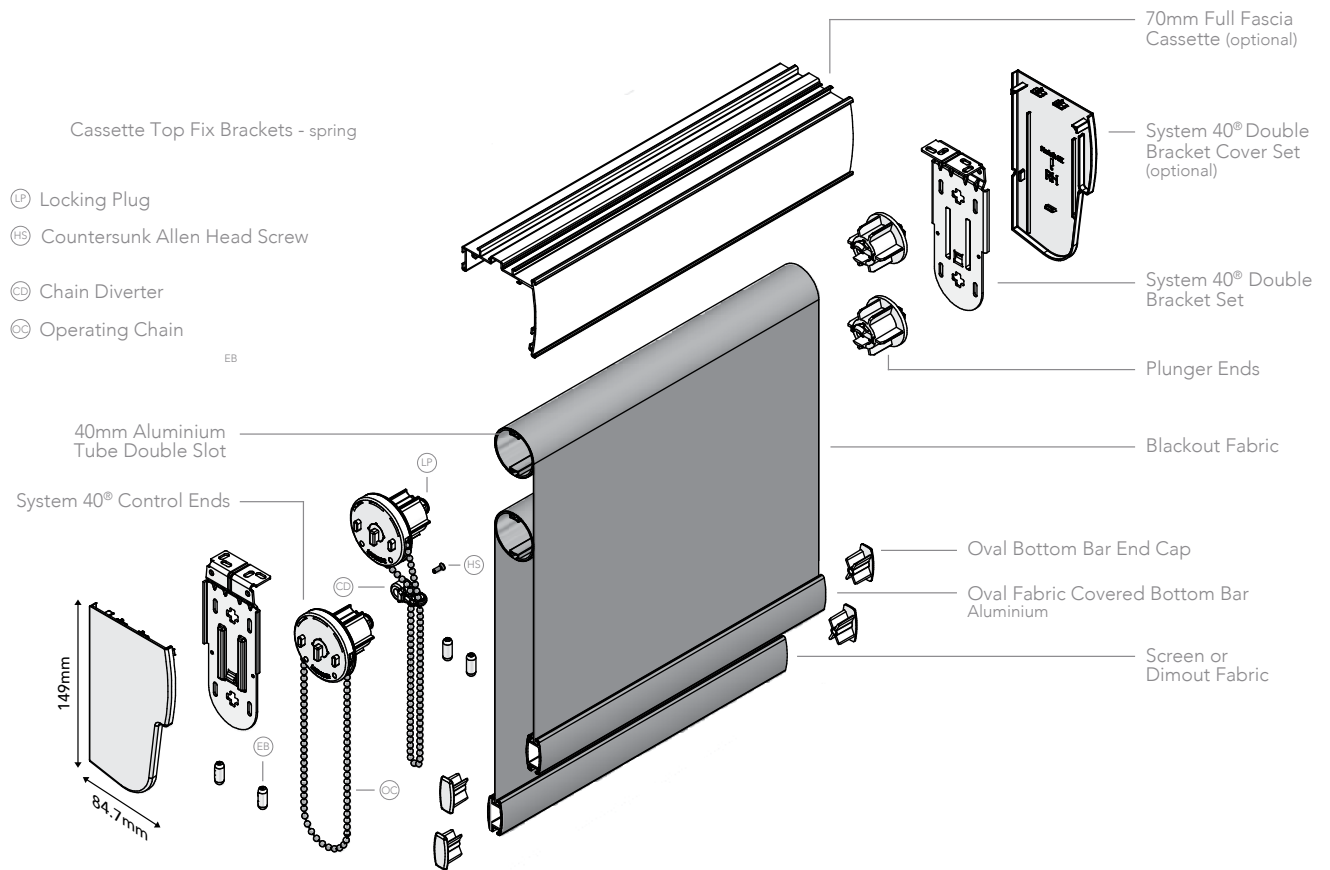


SYSTEM 40® ROLLER SYSTEM WITH THE DOUBLE BRACKET



- Designed and manufactured in the UK, all systems are 10 year life cycle tested to ensure long lasting performance.
- System 40® Slide-Lock® combines heavier holding weights with anti-fray features that ensure enhanced blind performance.
- Improved chain location for quick and easy on-site adjustment.
- Manufactured using high quality engineering grade polymer.
- Universal brackets and a spring idle end plunger enable easy and quick installation.
- Locking plug inside clutch ensures continued performance of larger blinds.
- Suggested fabric combination is to use blackout fabric as the top blind and screen or dimout fabric as the bottom blind.
- The double bracket system can be motorised