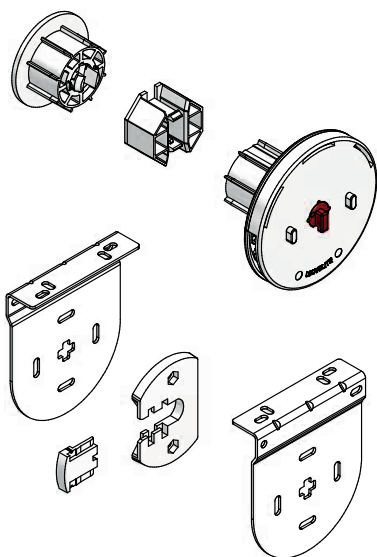
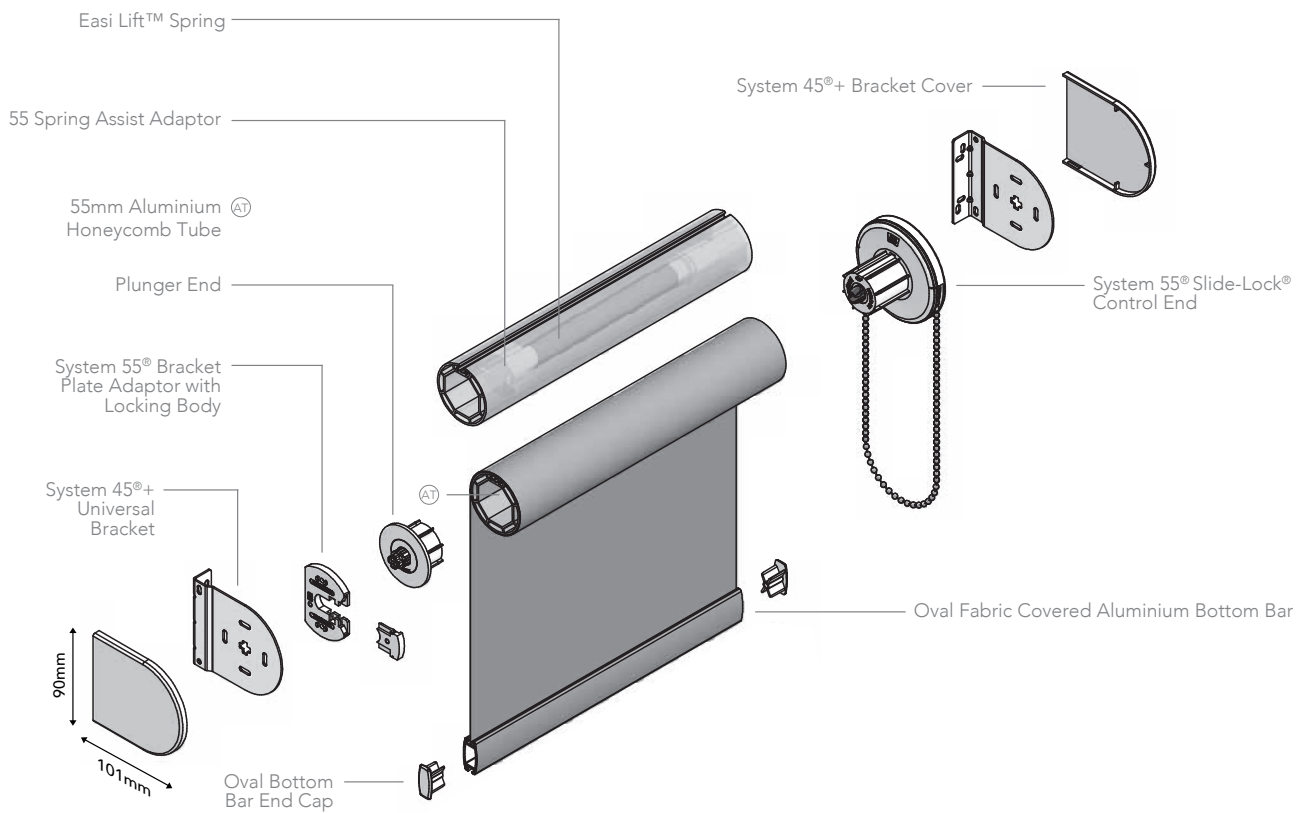


SYSTEM 55[®] ROLLER SYSTEM WITH EASI LIFT[™] SPRING ASSIST OPERATION



- Designed and manufactured in the UK, all systems are 10 year life cycle tested to ensure long lasting performance.
- System 55[®] Slide-Lock[®] combines heavier holding weights with anti-fray features that ensure enhanced performance of larger blinds.
- The smooth operation is achieved using spring assist technology.
- Manufactured using high quality engineering grade polymer.
- Improved chain location for quick and easy on-site adjustment.
- Universal brackets and a spring idle end plunger enable easy and quick installation.
- A patented idle end adapter plate with locking body ensures that the blind remains safely locked into the brackets at all times.
- Operate larger blinds effortlessly with System 55[®] Easi Lift[™].