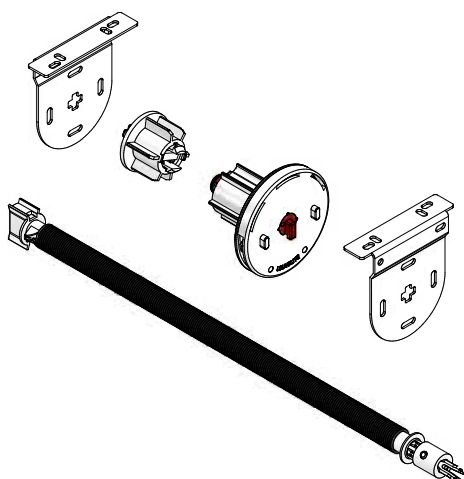
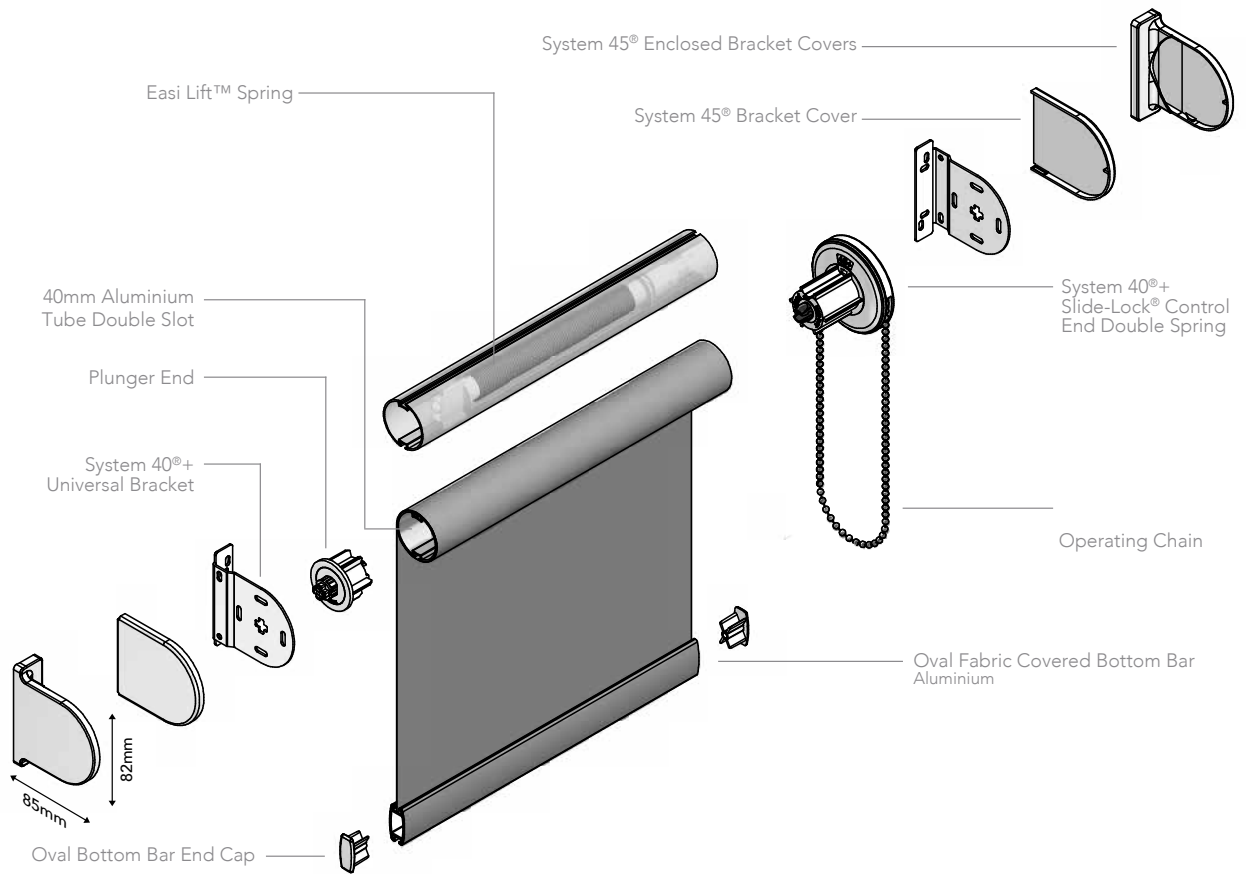


SYSTEM 40[®]+ ROLLER SYSTEM WITH EASI LIFT[™] SPRING ASSIST OPERATION



- Designed and manufactured in the UK, all systems are 10 year life cycle tested to ensure long lasting performance.
- System 40[®]+ Slide-Lock[®] combines heavier holding weights with anti-fray features that ensure enhanced blind performance.
- Raise and lower larger blinds effortlessly with System 40[®]+ Easi Lift[™].
- Improved chain location for quick and easy on-site adjustment.
- Manufactured using high quality engineering grade polymer.
- Universal brackets and a spring idle end plunger enable easy and quick installation.
- Locking plug inside clutch ensures continued performance of larger blinds.